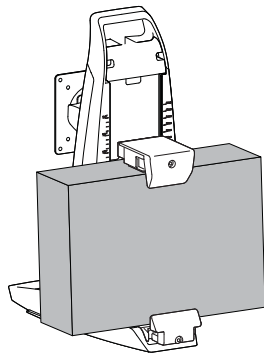
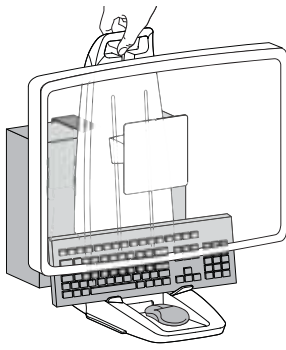


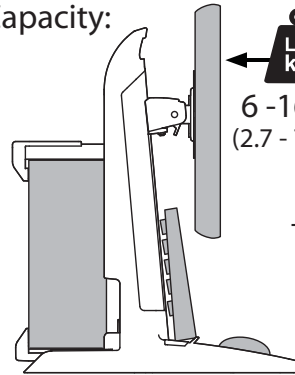
Ergotron® Neo-Flex™

All-In-One SC Lift Stand

Dimensional &
Range of Motion
Illustrations



Weight Capacity:

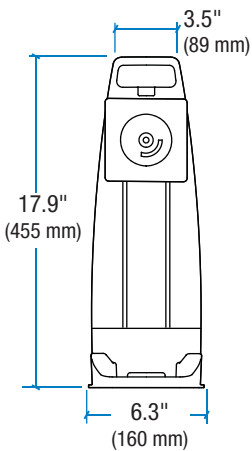


Weight Capacity
for Display:

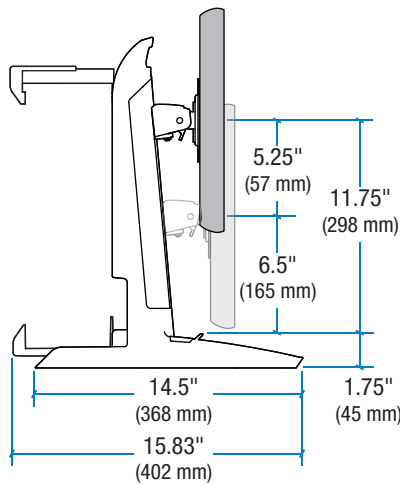
6 - 16 lbs
(2.7 - 7.2 kg)

Total Maximum Weight
Capacity for Stand:
(includes display, CPU,
keyboard and mouse)

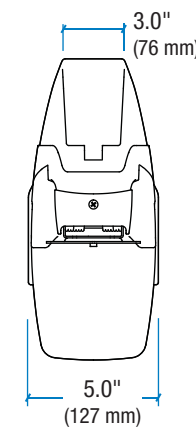
37 lbs
(16.7 kg)



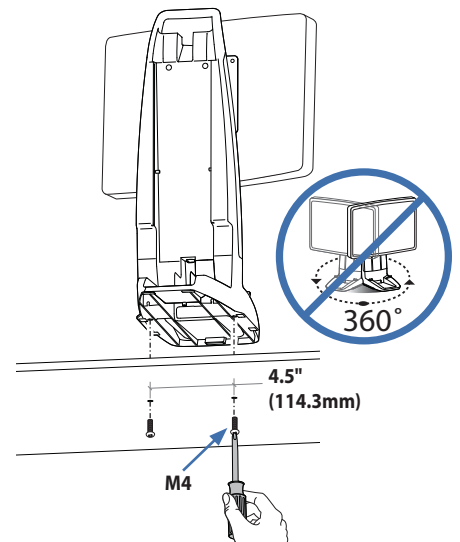
Front View



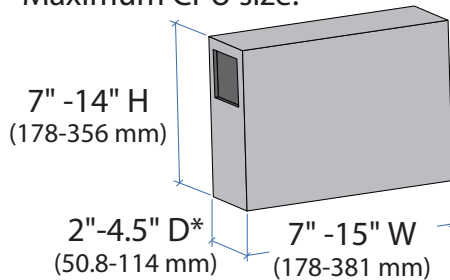
Side View



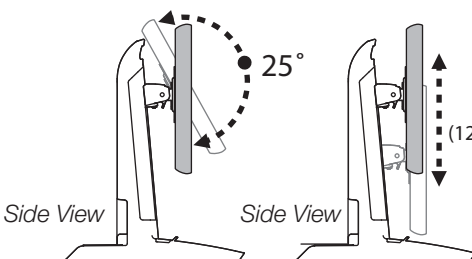
Top View



Minimum - Maximum CPU size:

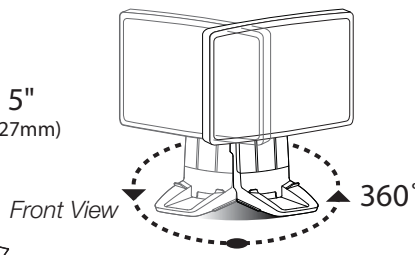


* Provided rubber spacer must be used to accommodate CPU depths of less than 3" (7.6 cm)



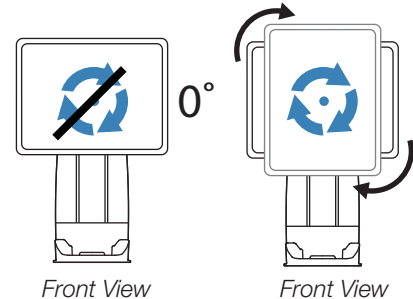
Side View

Side View



Front View

Portrait/Landscape rotation stop screw can be removed for 90° rotation.



Front View

Front View

© 2009 Ergotron, Inc. rev. 09/24/2009 DIM-A10-SC Content is subject to change without notification

Americas Sales and Corporate Headquarters

St. Paul, MN USA
(800) 888-8458
+1-651-681-7600
www.ergotron.com
sales@ergotron.com

EMEA Sales

Amersfoort, The Netherlands
+31 33 45 45 600
www.ergotron.com
info.eu@ergotron.com

APAC Sale

Tokyo, Japan
www.ergotron.com
apaccustomerservice@ergotron.com

Worldwide OEM Sales

www.ergotron.com
info.oem@ergotron.com

